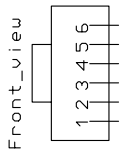
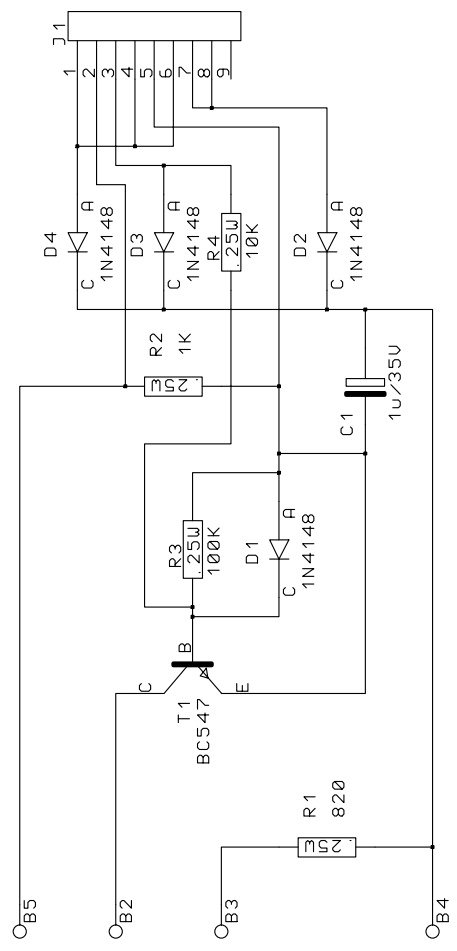


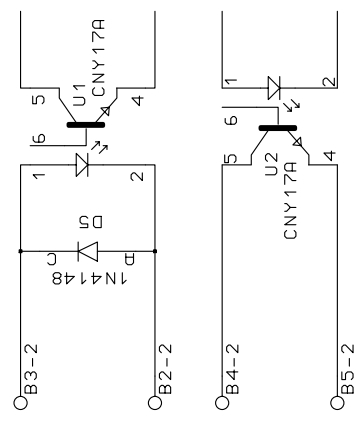
1 2 3 4 5 6 7 8

D C B A



Pin 1 and 6 not used

Inside the Soladin 600



To Processor PIC18F252 inside the Soladin 600

Connector to interface

Property of :	
Project : Soladin 600	Rev : 1 Sub 0
Subname : PC-Interface	Date : 30-Sep-2006
Hardware Engineer :	
CAD Engineer :	
Company :	
Address :	
City :	
State : Nederland	
Initial date Aug 2006	Page : 1 of : 1

3 4 5 6 7 8

D C B A